

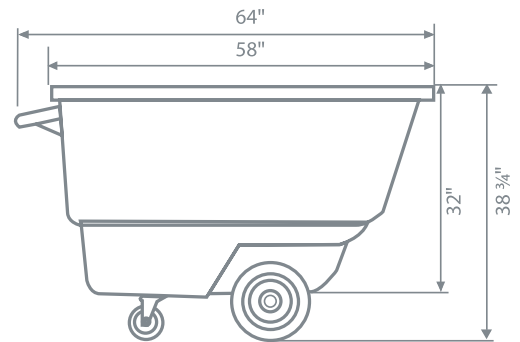
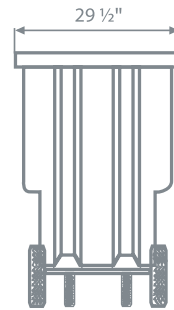
MAGNUM[®]

DUC100-R

1 Cu. Yd. Covered Capacity Dump Cart with Reinforcing Frame (Injection Molded)



**1000 LB
LOAD CAPACITY**



Max Load Capacity	1000 LB
Wheel Type	12" Heavy-Duty
Caster Type	5" Heavy-Duty
Item Weight	94 LB
Pallet Count	12 PC

- Dumping can be performed by a single user
- Smooth surface is easy to clean and resists corrosion
- Fits through standard doorways and elevators
- Save freight and space by stacking more on a pallet
- Construction grade wheels and casters

MAGNUM[®]

1-888-443-8889
MAGNUM-TOOL.COM
HOUSTON, TX

Please scan the QR
code to see the rest
of our dump cart line

