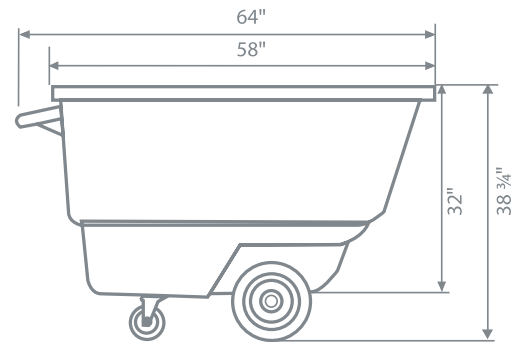


# MAGNUM<sup>®</sup>

## DUC100-12

### 1 Cu. Yd. Covered Capacity Dump Cart (Injection Molded)

**800 LB LOAD CAPACITY**



Max Load Capacity	800 LB
Wheel Type	12" Heavy-Duty
Caster Type	5" Heavy-Duty
Item Weight	89 LB
Pallet Count	12 PC

- Dumping can be performed by a single user
- Smooth surface is easy to clean and resists corrosion
- Fits through standard doorways and elevators
- Save freight and space by stacking more on a pallet
- Construction grade wheels and casters

# MAGNUM<sup>®</sup>

1-888-443-8889  
MAGNUM-TOOL.COM  
HOUSTON, TX

Please scan the QR  
code to see the rest  
of our dump cart line

