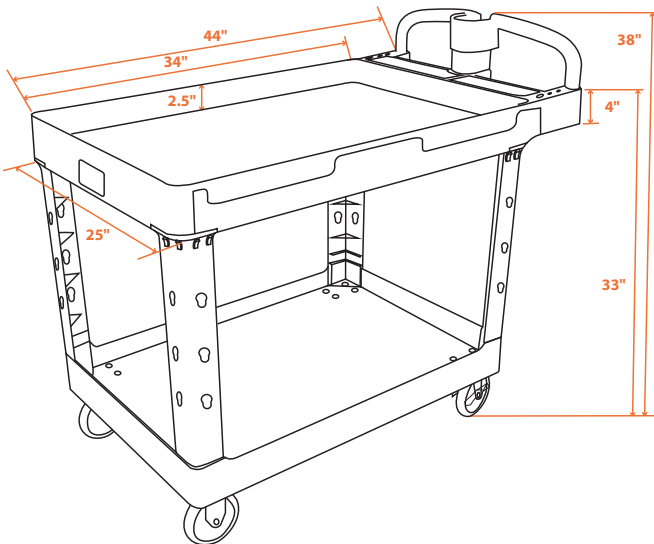


# 2-Shelf Utility Cart with Heavy Duty Casters

ITEM NO. **CART4426EH**

**44" x 25" SHELF**



- Cart size: 44"x25"x38", 2.5" deep shelves
- Load capacity: 500 LB
- 5" heavy duty non-marking casters (2 fixed and 2 swivel with brake)
- Tough polypropylene structural foam construction
- Ergonomic handle for comfort and ease of use

<b>Load Capacity:</b>	500 LB
<b>Item Size:</b>	44"L x 25"W x 38"H
<b>Item Weight:</b>	48 LB
<b>Shelf Depth:</b>	2.5"
<b>Shelf Quantity:</b>	2
<b>UPC:</b>	782156065965