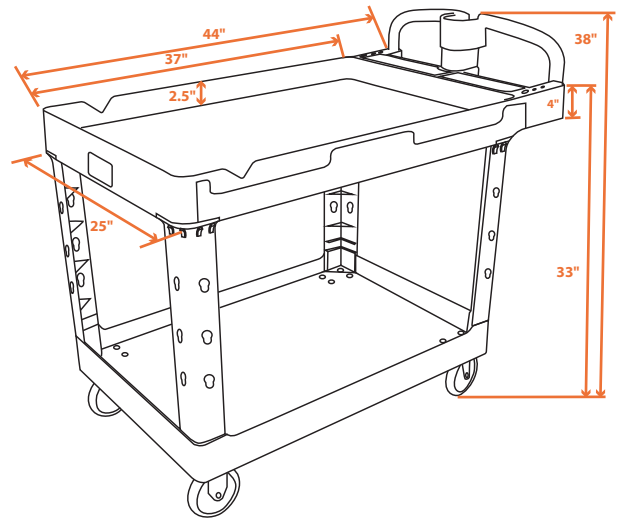


ITEM NO. CART4426E-C

**44" x 25"**  
**SHELF**

## 2-SHELF SERVICE CART with **V-CUT**



- Cart size: 44"x25"x38", 2.5" deep shelves
- 5" non-marking casters (2 fixed and 2 swivel)
- V-Cut securely holds materials for accurate measuring or cutting
- Tough polypropylene structural foam construction
- Ergonomic handle for comfort and ease of use

<b>Load Capacity:</b>	500 LB
<b>Item Size:</b>	44"L x 25"W x 38"H
<b>Item Weight:</b>	46 LB
<b>Shelf Depth:</b>	2.5"
<b>Shelf Quantity:</b>	2
<b>UPC:</b>	782156064531