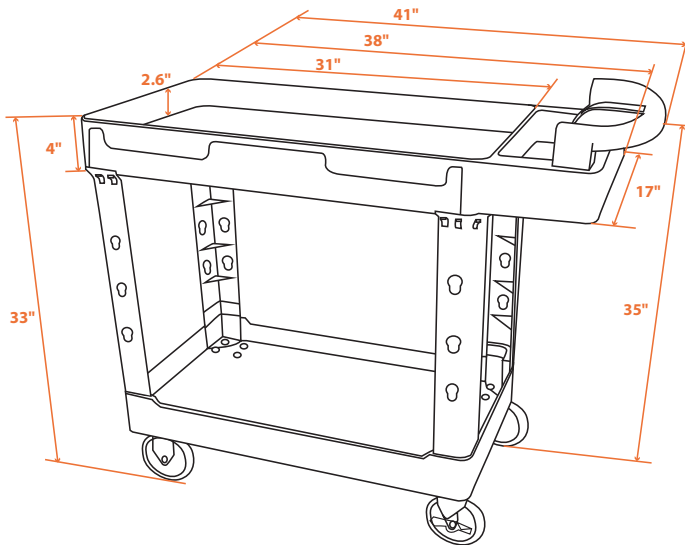


2-Shelf Utility Cart with Heavy Duty Casters

ITEM NO. **CART4117EH**

41" x 17" SHELF



- Cart size: 41"x17"x35", 2.6" deep shelves
- Load capacity: 500 LB
- 5" heavy duty non-marking casters (2 fixed and 2 swivel with brake)
- Tough polypropylene structural foam construction
- Ergonomic handle for comfort and ease of use

Load Capacity:	500 LB
Item Size:	41"L x 17"W x 35"H
Item Weight:	33 LB
Shelf Depth:	2.6"
Shelf Quantity:	2
UPC:	782156065989