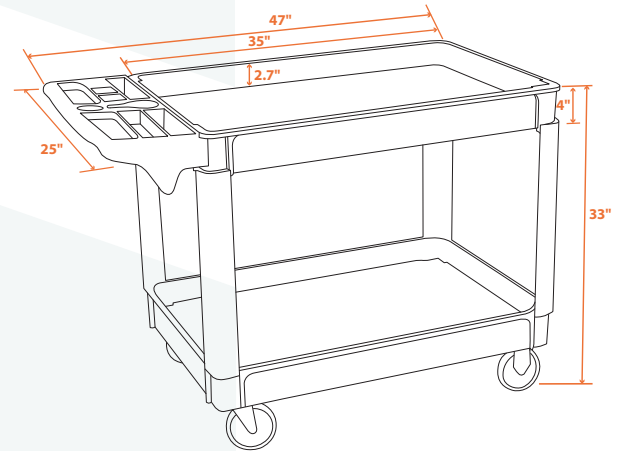


ITEM NO. **CART4725F**

Service Cart with Flat Handle



Features:

- Cart size: 47"x25"x33", 2.7" deep shelves
- Load capacity: 500 LB
- 5" non-marking casters (2 fixed and 2 swivel)
- Tough polypropylene structural foam construction
- Flat handle for transporting oversized loads

Load Capacity:	500 LB
Item Size:	47"L x 25"W x 33"H
Item Weight:	44 LB
Shelf Depth:	2.7"
Shelf Quantity:	2
UPC:	782156066139