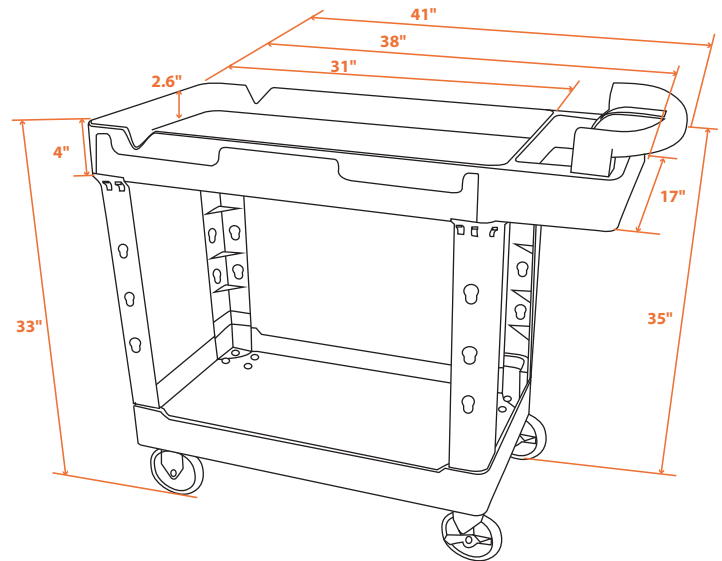


ITEM NO. CART4117-C

**41" x 17"**  
**SHELF**

## 2-SHELF SERVICE CART with **V-CUT**



- Cart size: 41"x17"x35", 2.6" deep shelves
- 5" heavy-duty non-marking casters (2 fixed and 2 swivel with lock)
- The V-cut helps to keep the pipe or lumber in place when measuring or cutting
- Tough polypropylene structural foam construction
- Ergonomic handle for comfort and ease of use

<b>Load Capacity:</b>	500 LB
<b>Item Size:</b>	41"L x 17"W x 35"H
<b>Item Weight:</b>	31 LB
<b>Shelf Depth:</b>	2.6"
<b>Shelf Quantity:</b>	2
<b>UPC:</b>	782156064548